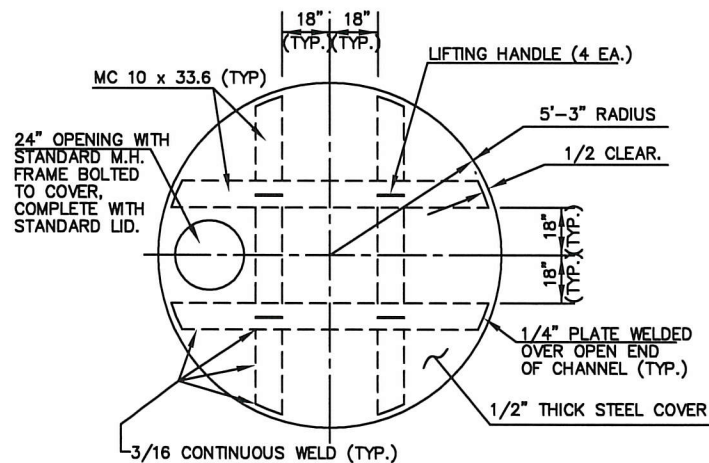


GRIT CHAMBER DRAINAGE & ACCESS PAD DETAIL

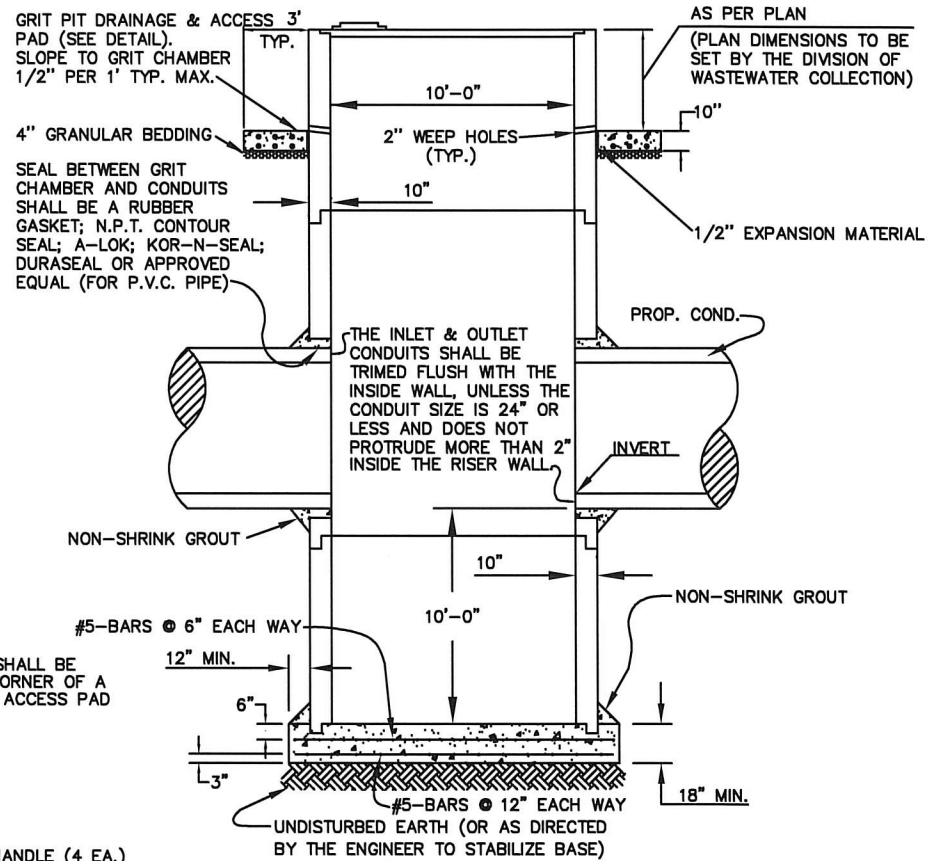
THE DRAINAGE PAD SHALL BE CONTAINED IN ONE CORNER OF A 30' x 30' CONCRETE ACCESS PAD

NOTES:

PROPOSED GRIT CHAMBER SHALL BE CONSTRUCTED USING 120" DIAMETER, 706.02, CL. III PIPE WITH 706.11 JOINTS.
ALL CONCRETE SHALL BE CLASS "C".



**COVER PLATE ASSEMBLY
TO BE SUPPLIED BY CONTRACTOR**



GRIT CHAMBER

THE
METROPOLITAN SEWER DISTRICT
OF
GREATER CINCINNATI
**STANDARD
GRIT
CHAMBER**

NO SCALE DATE: JAN. 2008
APPROVED: *Thomas A. Schuers*
INTERIM SEWERS CHIEF ENGINEER